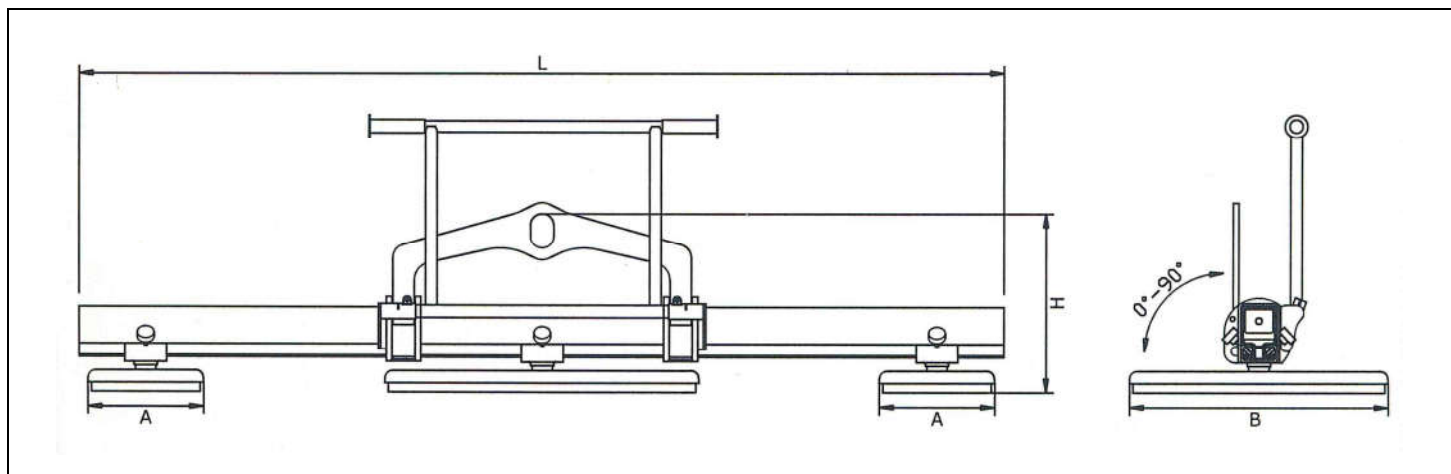


VENTOSE - SUCTION PADS



DIMENSIONI - SIZES

Modello Model	mm				Peso Weight	Portata Verticale/Orizzontale Vertical/Horizontal Capacity
	A	B	H	L	kg	kg
					Ventosa Centrale Middle Pad	
VL2L 2550	250	560	390	2000	--	200/400
VL3L 2040/50	200	420	390	2000	250 x 560	200/400
VL4L 2040	200	420	390	2000	--	200/400
VL5L 2040	200	420	390	2000	200 x 420	250/500
VL6L 2040	200	420	390	2300	--	300/600
VL3L 2550	250	560	390	2000	250 x 560	300/600
VL4L 2550	250	560	390	2000	--	400/800
VL3L 2550/70	250	560	390	2000	350 x 680	400/800
VL2L3570	350	680	390	2000	--	400/800
VL5L 2550	250	560	390	2400	250 x 560	500/1000
VL6L 2550	250	560	390	3000	--	600/1200
VL3L 3570	350	680	390	2000	350 x 680	600/1200

